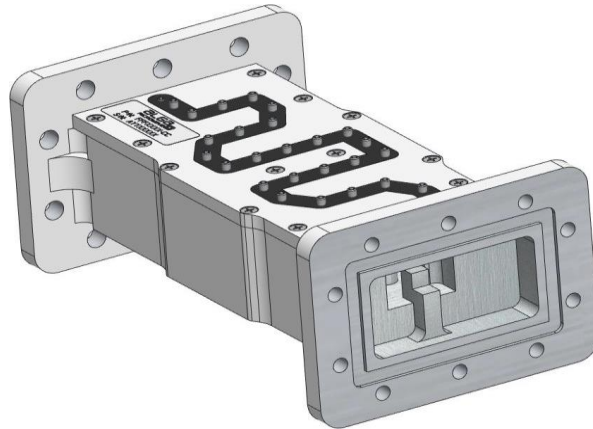


Alga Microwave Inc. Announces Its Specialized C-Band 5G Filter Is Available for Immediate Shipment

Montreal, April 15, 2019 Alga Microwave Inc., wholly-owned subsidiary of Baylin Technologies, has released a specialized filter to prevent interference from 5G Base Stations that are in the proximity of C-Band ground terminals. The filter design has been completed and is now available for the market.



The application for this product is vast and applicable for both the satellite communications market and the wireless telecommunications market. Traditionally C-Band (3.8-4.2 GHz) is used for satellite services, radar, and microwave links. With the introduction of 5G networks, these C-Band frequencies will now be shared with a wider range of services. The resulting interference signals can be powerful enough to saturate the sensitive C-Band satellite receiving systems which may result in total loss of service. Alga has designed a filter that will clear portions of the C-Band spectrum to support the growth of mobile data and the introduction of 5G services in the USA and around the world.